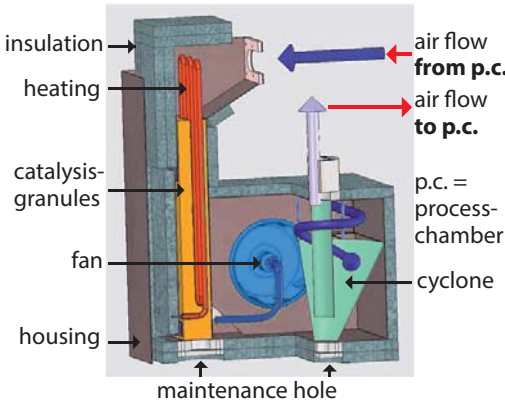




Catalysis – Process Gas Cleaning



The new catalysis - process gas cleaning of SMT works comparable as a catalyst in a car. The cleaning process can take place due to the catalyst at **lower temperatures**. The effect is a **better cleaning performance**.

The **granules** of the new catalysis **with precious metall coating** provide a splitting of long-chain hydro-carbons and the organic material is ideally split completely to water and carbon dioxide.

The catalysis - process gas cleaning can be installed into the SMT reflow soldering system XS and in all reflow soldering systems from the Quattro Peak series. Depending on the system size, this may be up to 4 catalysis (up to 5 at vacuum soldering systems).

A **retrofitting** to the new catalysis - process gas cleaning is **possible at any time** at SMT reflow and vacuum soldering systems.

Advantages:

- decrease of contamination
- reduce of maintenance effort
- more efficient production

Please give us a call – we have the **perfect solution** for your production requirements.

<p>SMD Reflow Soldering</p> 	<p>Vacuum Soldering</p> 	<p>Coating + Curing</p> 	<p>Temperature Treatment</p> 	<p>Hot & Cold Function Tests</p> 	<p>Customized Solutions</p> 
---	---	---	--	--	--